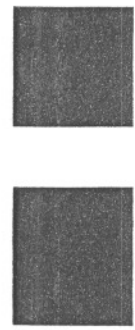
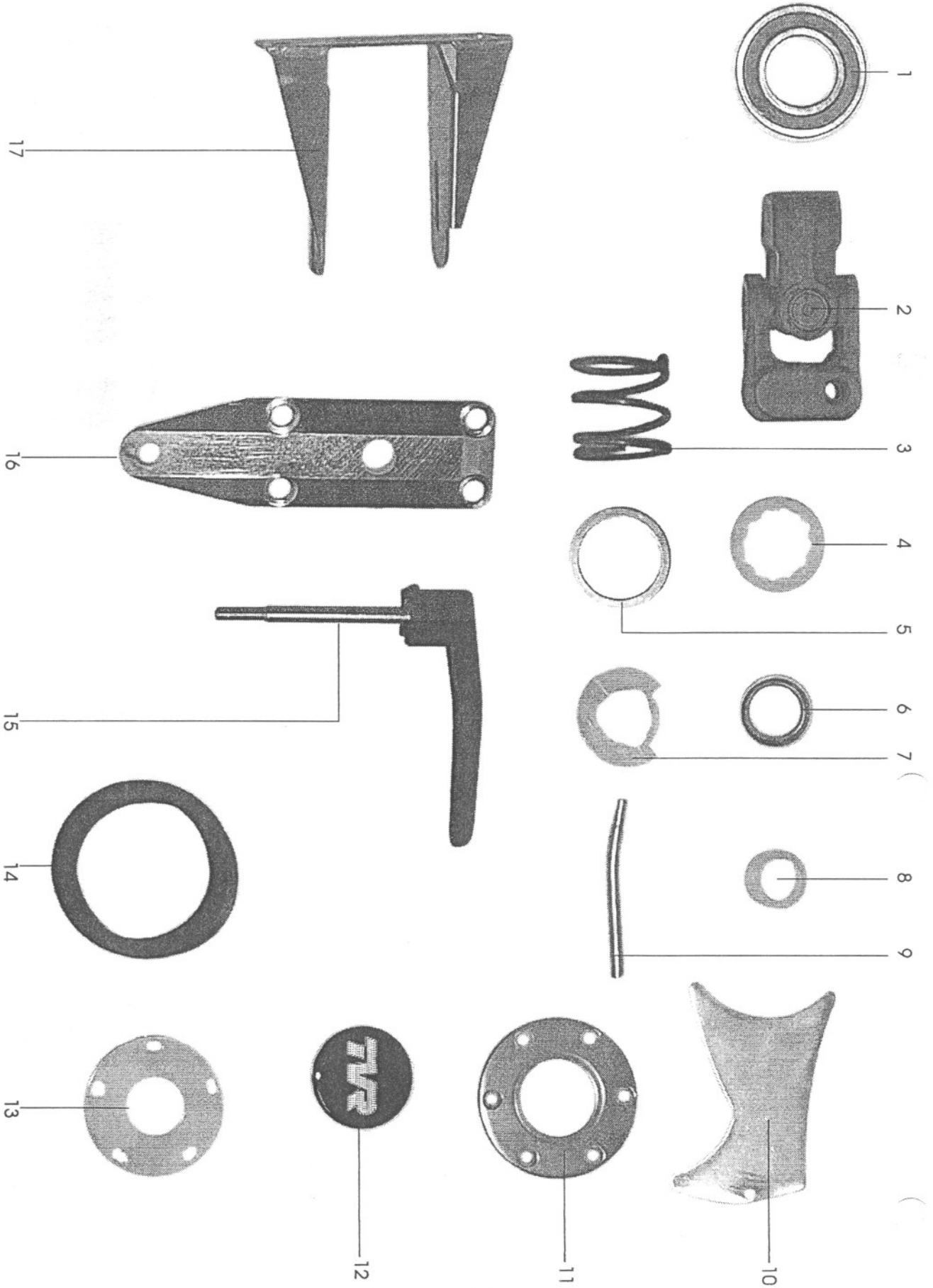


Section



Steering

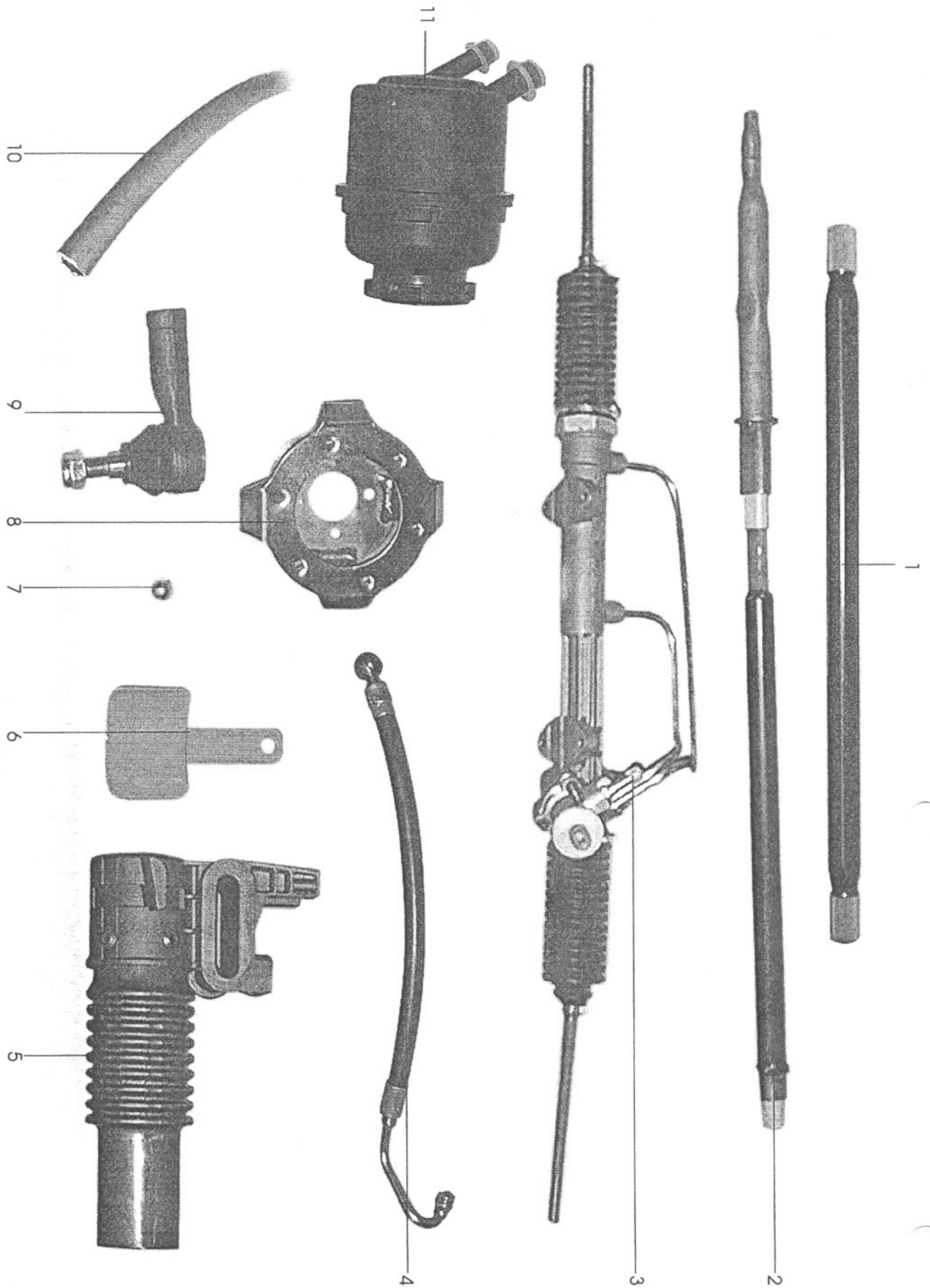


PARTS CATALOGUE

SECTION: *Steering*

ISSUE DATE: 1/05/00

ITEM	PART NO:	DESCRIPTION	QTY
1	H0055	BEARING - COLUMN	1.00
2	H0072	UPPER STEERING U.J.	2.00
3	H0277	PRE LOAD SPRING	1.00
4	H0275	UPPER BEARING	1.00
5	H0207	M16 BANJO WASHER (PAS)	2.00
6	H0276	UPPER TOLERANCE RING	1.00
7	H0310	INDICATOR INTERRUPTER	1.00
8	H0274	LOWER TOLERANCE RING	1.00
9	H0309	INDICATOR STALK	1.00
10	H0308	STG WHEEL SPOKE COVER	2.00
11	H0284	STG. WHEEL FIXING RING	1.00
12	H0315	STEERING WHEEL CENTRE	1.00
13	H0342	STG COL. BEARING RET PLT	1.00
14	H0316	COLLAPSIBLE BOSS GAITER	1.00
15	H0278	LOCK HANDLE KIT	1.00
16	H0280	STG ARM	2.00
17	H0263	STG COL MTG BRKT	1.00

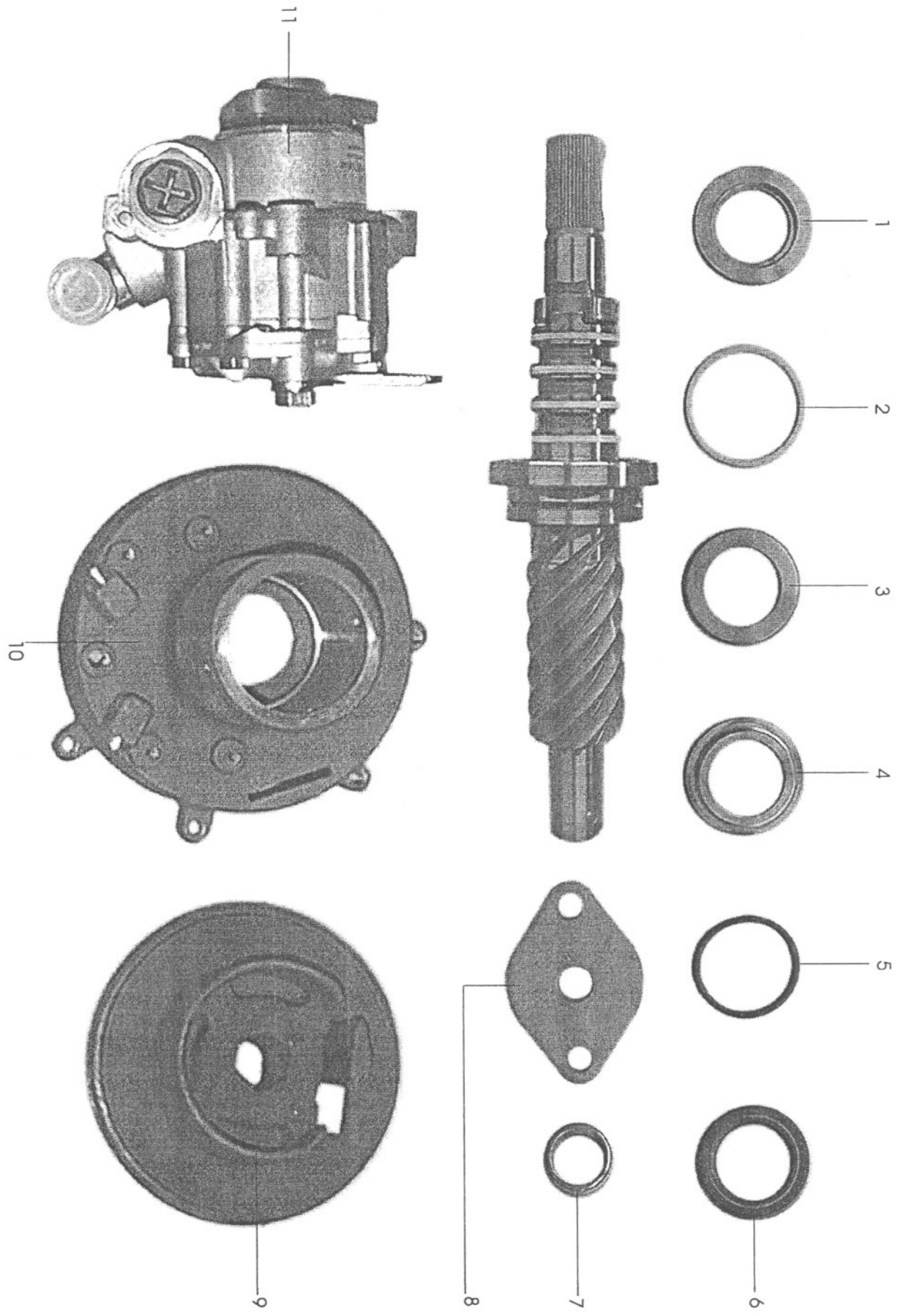


PARTS CATALOGUE

SECTION: *Steering*

ISSUE DATE: 1/05/00

ITEM	PART NO:	DESCRIPTION	QTY
1	H0349	STEERING SHAFT (PAS)	1.00
2	H0348	INNER SHAFT ASSY	1.00
3	H0360	RHD CERBERA PAS RACK	1.00
4	H0389	HIGH PRESSURE HOSE (P.A.S)	1.00
5	H0350	STG COL CRUSH TUBE -MODIFIED	1.00
6	H0375	PAS RESERVOIR BRKT	1.00
7	H0294	6MM BALL BEARING	1.00
7	H0156	BALL BEARINGS STG RACK	1.00
8	H0596	COLL.STG WHEEL BOSS	1.00
9	H0314	TRACK ROD END	2.00
10	H0286	PAS HOSE 15.9 (FEED)	2.00
10	H0285	PAS/FUEL HOSE 12.5 (RTN)	2.00
11	H0169	PAS RESERVOIR	1.00



PARTS CATALOGUE

SECTION: *Steering*

ISSUE DATE: 1/05/00

ITEM	PART NO:	DESCRIPTION	QTY
1	H0244	PISTON	1.00
2	H0245	THRUST RING RETAINER	1.00
3	H0246	PISTON RING	1.00
4	H0260	LIP SEAL RETAINER	1.00
5	H0261	PAS 'O' RING 50 X 2	1.00
6	H0317	RH PAS VALVE ASSEMBLY	1.00
7	H0318	LH PAS VALVE ASSEMBLY	1.00
8	H0319	PAS VALVE OILS EAL	1.00
9	H0320	NEEDLE ROLLER BEARING PAS	1.00
10	H0357	BURMAN ADJUSTER PLATE	1.00
11	H0297	STG WHEEL BOSS	1.00
12	H0296	STG COL TOP	6.00
13	H0373	PAS PUMP ASSY	1.00