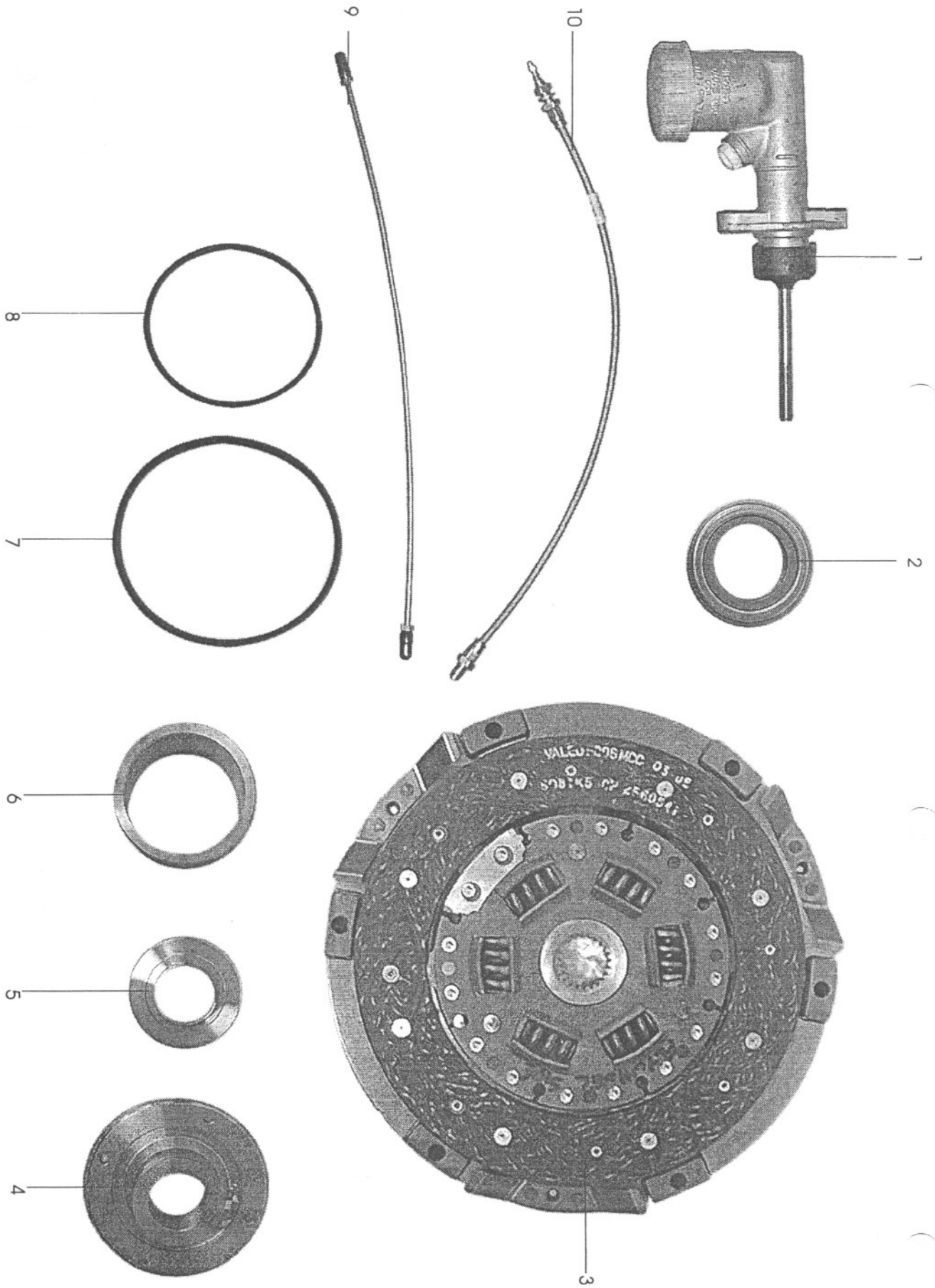


Section **Q** **Clutch**

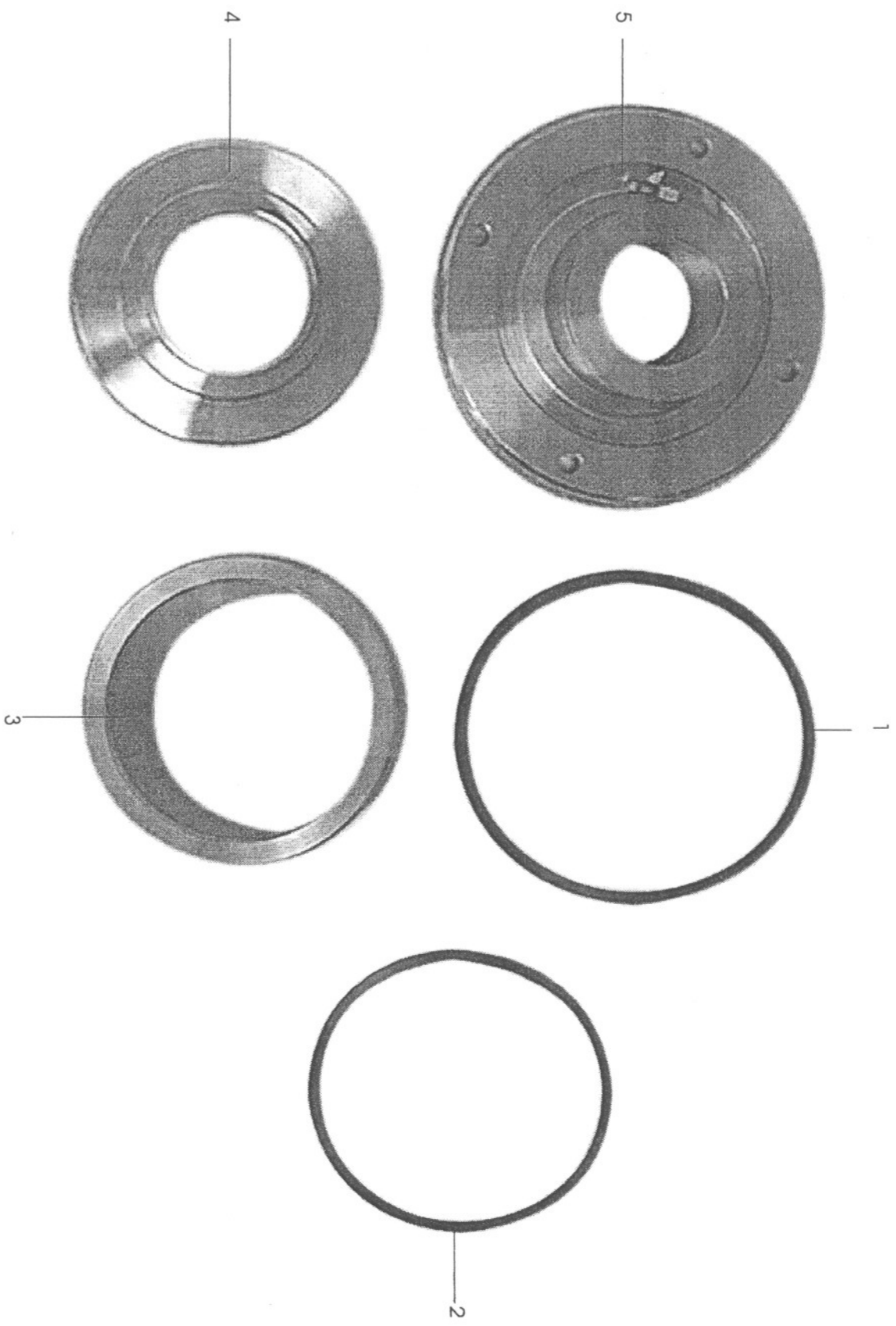


PARTS CATALOGUE

SECTION: *Clutch*

ISSUE DATE: 1/05/00

ITEM	PART NO:	DESCRIPTION	QTY
1	Q0012	CLUTCH MASTER CYLINDER	1.00
2	Q0107	THRUST BEARING RHP 34/W.11/2	1.00
3	Q0314	CLUTCH KIT	1.00
4	Q0317	BELL HOUSING INNER CYLINDER	1.00
5	Q0316	CLUTCH RELEASE PISTON	1.00
6	Q0315	BELL HOUSING CYLINDER SLEEVE	1.00
7	E1327	SEAL	1.00
8	E1328	SEAL	1.00
9	Q0113	CLUTCH PIPE(M/CYL-B/HEAD)	1.00
9	Q0112	CLUTCH PIPE	1.00
10	Q0111	REMOTE CLUTCH BLEED PIPE	1.00



PARTS CATALOGUE

SECTION: *Clutch*

ISSUE DATE: 1/05/00

ITEM	PART NO:	DESCRIPTION	QTY
1	E1377	"O" RING	1.00
2	E1378	"O" RING	1.00
3	Q0315	CYLINDER SLEEVE	1.00
4	Q0316	CLUTCH PISTON	1.00
5	Q0317	BELL HOUSING INNER	1.00